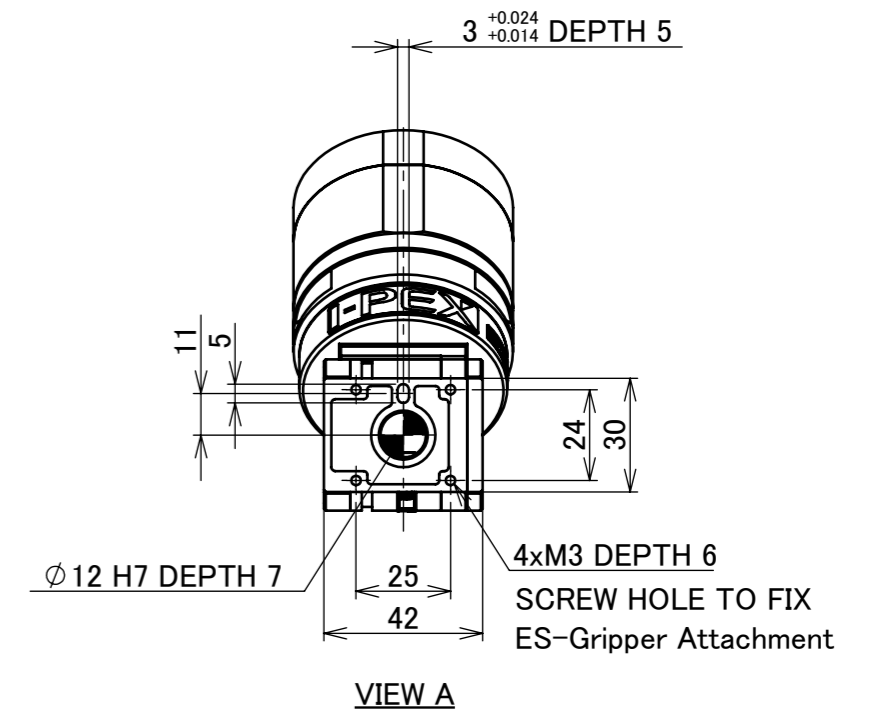
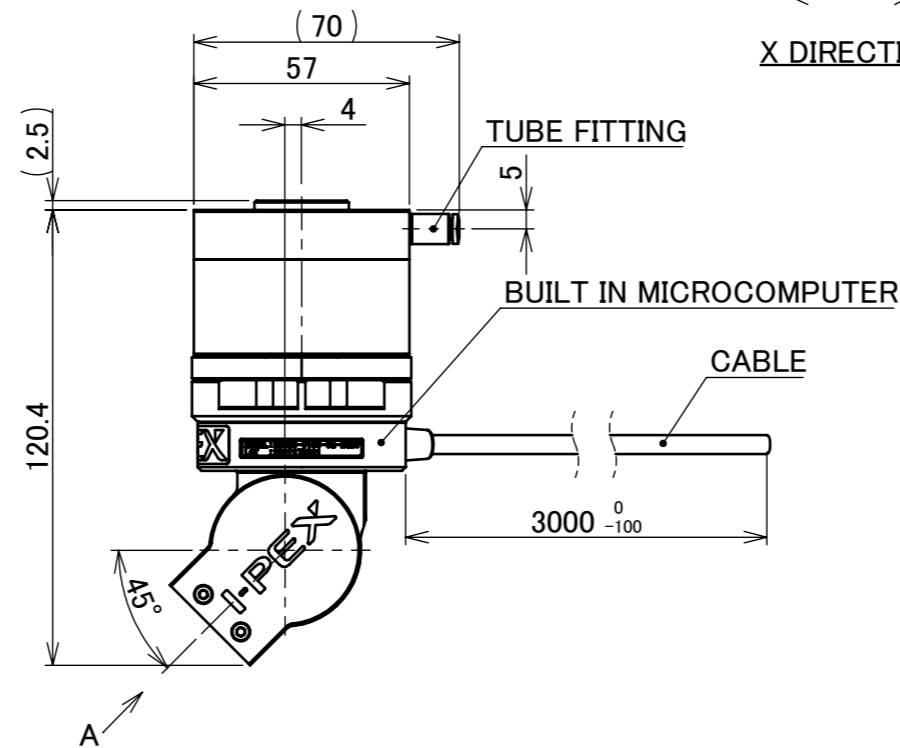
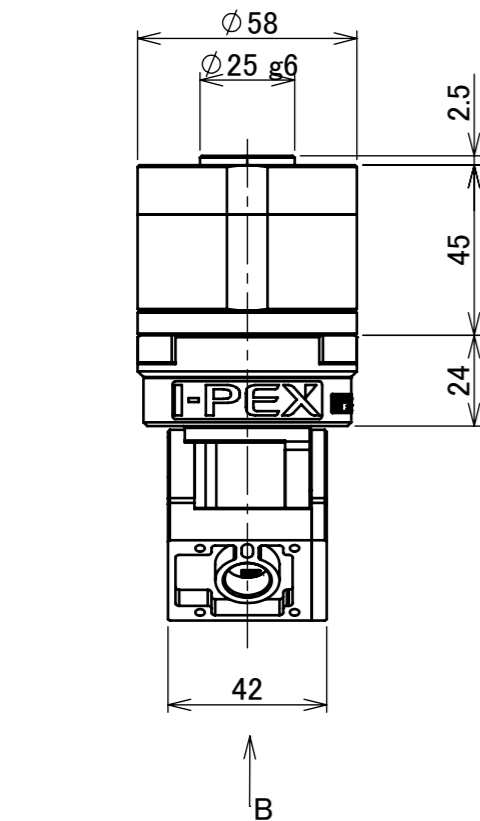
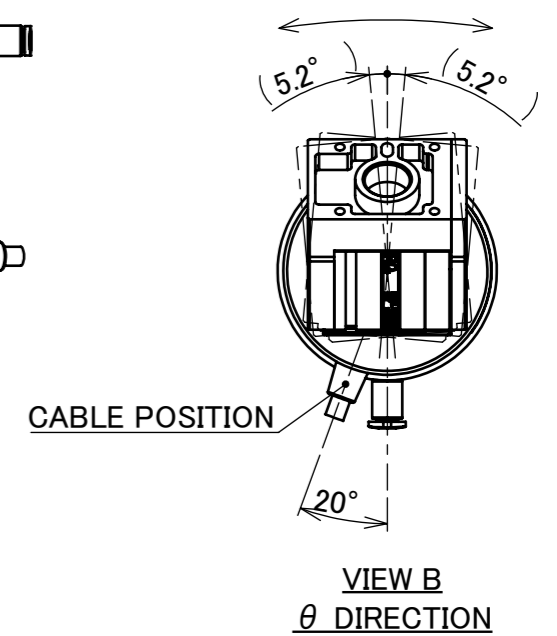
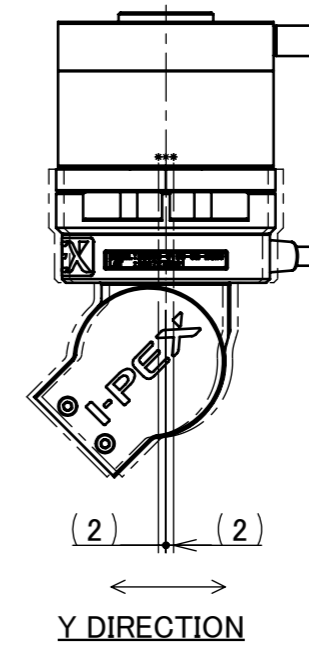
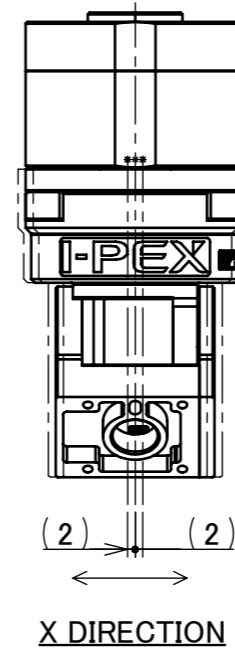
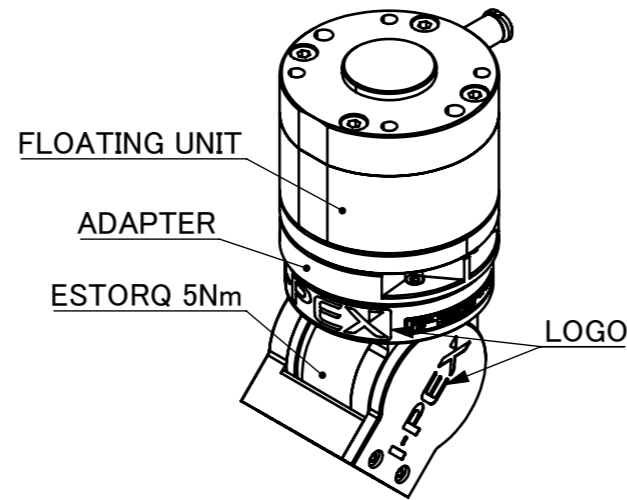
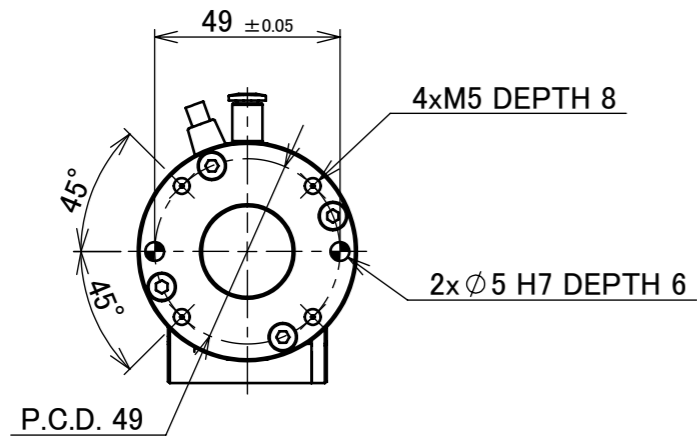


RG006-0105-0*-EGE0

- 1 : OUTPUT FORM RS-422 , WITH USB
- 2 : OUTPUT FORM RS-422 , WITHOUT USB



< RANGE OF MOTION >



- NOTES.
1. MATERIAL
FRAMEWORK : ALUMINIUM
 2. WEIGHT : ABOUT 710 g
 3. ES-Gripper Body USES MAGNETIC PARTS.

					ANGLE	±2°	6 OVER 30 MAX.	±0.3	PROJECTION	SERIES No.	CUSTOMER COPY
					6 MAX.	±0.2	30 OVER 120 MAX.	±0.5		-	
					GENERAL TOLERANCE.				TITLE		SCALE
					DWG.	H.Tagomori	DATE	2023/08/01	ES-GRIPPER® BODY		1:2
					CHK.	A.Kuromaru	DATE	2023/08/01	FINE X+Y+θ TYPE		UNIT
0	Aug./01/'23	H.T			APP.	T.Hara	DATE	2023/08/01	DWG. No.		mm
REV.	DATE	DWG.	CHK.	APP.	REVISION RECORD				RG006-0105-0*-EGE0		SIZE
											A3
											SHEET 1/1
											REV. 0